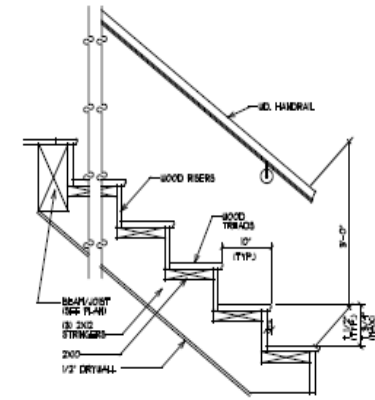


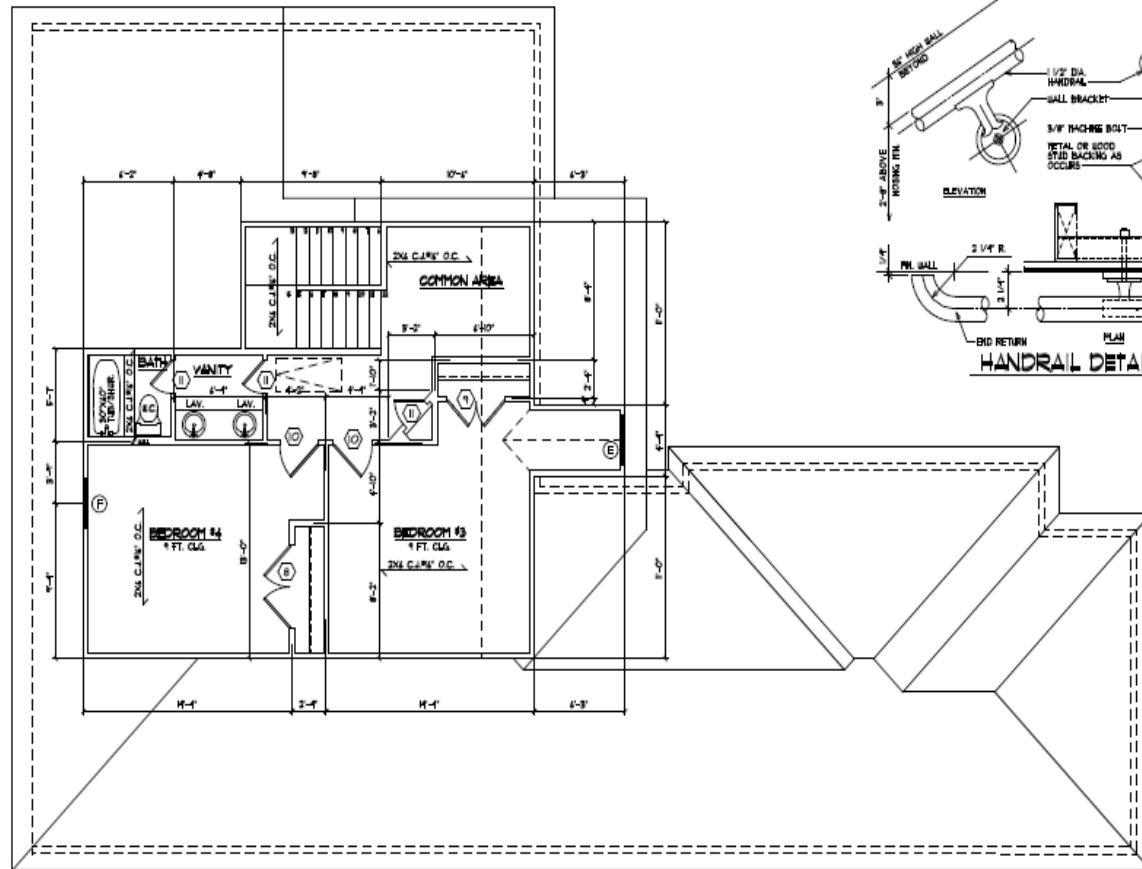
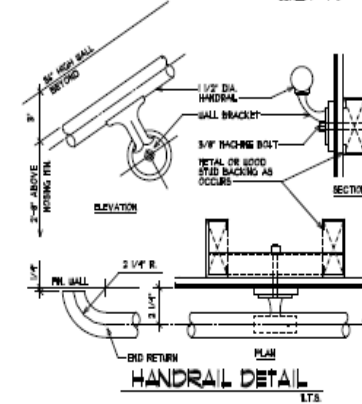
| WINDOW SCHEDULE | | | | |
|-----------------|---------------|------|--------------------------------------|----------|
| MARK | SIZE | TYPE | DESCRIPTION | MIN. LIT |
| A | 8'-0" x 7'-0" | 1/2" | B.H. VINYL ISOL. LOW E' 6"W/ TRANSOM | 8'-0" |
| B | 2'-6" x 1'-0" | 1/2" | B.H. VINYL ISOL. LOW E' 6"W/ TRANSOM | 8'-0" |
| C | 2'-6" x 1'-0" | 1/2" | B.H. VINYL ISOL. LOW E' | 8'-0" |
| D | 8'-0" x 8'-0" | 1/2" | B.H. VINYL ISOL. LOW E' | 8'-0" |
| E | 8'-0" x 8'-0" | 1/2" | B.H. VINYL ISOL. LOW E' | 8'-0" |
| F | 8'-0" x 8'-0" | 1/2" | B.H. VINYL ISOL. LOW E' | 8'-0" |
| G | 4'-0" x 4'-0" | 1" | FIXED VINYL ISOL. TEmPERED | 8'-0" |

NOTE: ALL HGT. HT. TAKEN FROM FIN. FL. OF HOUSE OR FLOOR.

| DOOR SCHEDULE | | | |
|---------------|---------------|--------|---------------------------------------|
| MARK | SIZE | TYPE | DESCRIPTION |
| 1 | 2'-2" x 6'-0" | 1 3/4" | ALU. FILL 6" W/ TRANS. TEmPERED |
| 2 | 8'-0" x 8'-0" | 1 3/4" | LITE. TEmPERED |
| 3 | 8'-0" x 8'-0" | 1 3/4" | PANeLED EXTERIOR 20 MINUTE FIRE RATED |
| 4 | 2'-2" x 6'-0" | 1 3/4" | PANeLED HASOnITE |
| 5 | 8'-0" x 8'-0" | 1 3/4" | PANeLED HASOnITE |
| 6 | 2'-6" x 8'-0" | 1 3/4" | PANeLED HASOnITE |
| 7 | 2'-4" x 8'-0" | 1 3/4" | PANeLED HASOnITE |
| 8 | 2'-2" x 6'-0" | 1 3/4" | PANeLED HASOnITE |
| 9 | 2'-2" x 6'-0" | 1 3/4" | PANeLED HASOnITE |
| 10 | 2'-6" x 8'-0" | 1 3/4" | PANeLED HASOnITE |
| 11 | 2'-0" x 6'-8" | 1 3/4" | PANeLED HASOnITE |
| 12 | 4'-0" x 8'-0" | | BRICK ARCH RADIUS=2'-0" |
| 13 | 3'-0" x 8'-0" | | BRICK ARCH RADIUS=2'-0" |
| 14 | 8'-0" x 8'-0" | 8" | ARCHED OPENING W/ 2x8x8" |
| 15 | 8'-0" x 8'-0" | STD. | OVERHEAD GARAGE 8' AUTO OPENER |



WOOD STAIR DETAIL
SCALE 7/8" = 1'-0"



FLOOR PLAN 2nd FLOOR
SCALE 1/4" = 1'-0"

**CLAY LAURENCE
DESIGN STUDIO, L.L.C.**
PHONE: 225-443-2000
FAX: 225-443-2001
CELL: 225-793-2620
EMAIL: clay@claydesign.com

8440 FRANKLIN BOYD DRIVE SUITE D
BATON ROUGE, LA 70806
UNLESS OTHERWISE SPECIFIED, ALL MATERIALS SHALL BE AS MANUFACTURED BY THE SUPPLIER.
ALL DIMENSIONS SHALL BE TO FACE UNLESS OTHERWISE SPECIFIED.
ALL DIMENSIONS SHALL BE TO FACE UNLESS OTHERWISE SPECIFIED.
ALL DIMENSIONS SHALL BE TO FACE UNLESS OTHERWISE SPECIFIED.

NAME: S & B CONSTRUCTION
LOT: I HIDDEN COVE
PARISH: ASCENSION

© COPYRIGHT NOTICE
CLAY LAURENCE DESIGN STUDIO, L.L.C.
DRAWN BY:
CEL
DATE
12-30-16
PROJECT NUMBER
135
SHEET NUMBER
A-2
2 OF 8